



# **CUSHION TIRE FORKLIFT**

3,000-6,500 LB CAPACITY LP GAS MODELS

COMFORT AND CONVENIENCE YOU CAN RELY ON



# COMFORT COMES STANDARD.

STEP INTO THE OPERATOR COMPARTMENT OF AN FGC15N-FGC33N CUSHION TIRE FORKLIFT



- Designed for operator comfort
- Adjustable seating for flexibility
- Enhanced visibility
- Memory tilt steering

All come together to create a working environment that reduces fatigue through even the longest shifts.

## Comfortable Operator Compartment:

With three-point access, operators of any size can easily enter the operator compartment of these Mitsubishi forklift trucks. The large floor space provides maximum operator comfort, especially during long shifts, while the “through the floor” pedal design further reduces operator fatigue and discomfort throughout the day.

**Ergonomic Seat:** The FGC15N forklift series features seats with adjustable forward and backward movement, added side support in the back cushion and an orange, anti-cinch seat belt, creating a comfortable work environment for operators of varying heights. An optional full-suspension seat is available on the FGC20N-FGC33N models for additional support during long shifts.

## Enhanced Operator Visibility:

From the standard lighting package, which includes two forward LED work lights, to the lack of crossbars in the overhead guard and the specially designed mast, the design of the forklift allows for improved visibility in all directions during operation.

## Adjustable Steering:

The forklift’s steering column is equipped with standard memory tilt steering. Allowing for infinite adjustment in a 12 degree range, the steering column’s “memory” feature retains the operator’s preferred settings for added convenience and comfort during operation.

Every operator is different, so the key to creating a comfortable shift is a flexible design.



The FGC15N-FGC33N series is built to help protect the operator and surrounding personnel. Each unit comes standard with the Integrated Presence System (IPS), which is designed to disengage all powered travel and some hydraulic functionality when the operator leaves the normal operating position. Additionally, warning alarms sound and indicators are shown on the display panel, informing the operator and surrounding personnel that the system is engaged.



Features	Standard	Optional
Ergonomic seat	●	
Memory tilt steering column	●	
Integrated Presence System	●	
Two forward work lights	●	
Full-suspension seat		●
Swivel seat package		●
Swing-down LP tank bracket		●

Ask your local dealer about the available options for improved performance, productivity and operator comfort.

# POWERFUL EFFICIENCY.

QUALITY COMPONENTS AND EASY MAINTENANCE MEAN INCREASED UPTIME

- Designed for uptime
- Smooth, powerful engines
- Reliable components
- Easy service access
- Flexible options

These features give Mitsubishi forklift trucks the strength to perform, shift after shift.

#### Efficient From The Inside Out:

Powered by enviro<sub>2</sub> engines™, these forklifts offer the power you need with a smooth ride. Balanced for low noise and vibration, the operator will experience increased comfort and productivity in many applications. The drive-by-wire throttle control allows for enhanced efficiency, reduced emissions and responsive acceleration, while the exhaust system provides a three-way catalyst that lowers the amount of emissions released into the environment.

**Cool And Quiet:** The forklift's fan and radiator system is equipped with a horizontal cross flow cooling system to help keep the engine cool and functioning at peak performance. The corrugated design provides optimal heat exchange, while the aluminum core helps to prevent corrosion. The direct drive fan also reduces noise and necessary maintenance, benefiting your operators and your business.

**Engine Protection:** Regulated by the Vehicle Control Module, the Engine Protection System keeps the truck running at desirable levels while helping to prevent damage to the forklift, saving you money. If any of the vital fluids becomes critically low, RPM levels are automatically lowered and the operator is immediately notified by a light on the dash display.

**Easy Service Access:** Tool-free access to the engine compartment makes routine maintenance, such as cleaning radiator fins, much easier. Additionally, the Vehicle Control Module is conveniently located under the dashboard cup holder, making it readily accessible.

Additional options are available to customize the forklift for your application:

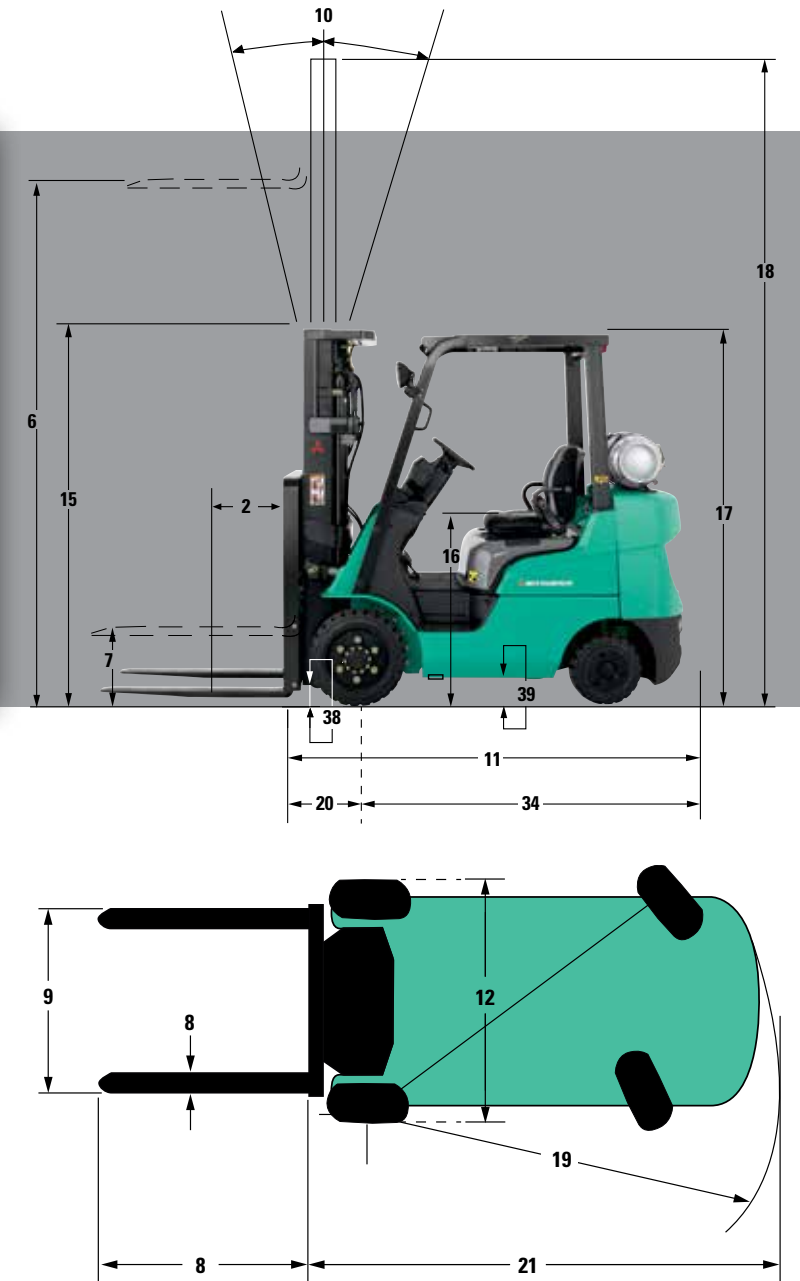
- Bottler's Tilt
- Fuel Saver Mode
- Ground Speed Control
- Underbelly Screen
- Warning Lights
- Air Intake Precleaner



CHARACTERISTICS		FGC15N		FGC18N		FGC20CN		FGC20N		FGC25N		FGC30N		FGC33N			
1	Capacity at rated load center	lb	kg	3,000	1,500	3,500	1,750	4,000	2,000	4,000	2,000	5,000	2,500	6,000	3,000	6,500	3,300
2	Capacity at load center - distance	in	mm	24	500	24	500	24	500	24	500	24	500	24	500	24	500
3	Power - fuel type	LP gas		LP gas		LP gas		LP gas		LP gas		LP gas		LP gas		LP gas	
4	Tire type - cushion or pneumatic	cushion		cushion		cushion		cushion		cushion		cushion		cushion		cushion	
5	Wheels (x = driven) number front / rear	2x / 2		2x / 2		2x / 2		2x / 2		2x / 2		2x / 2		2x / 2		2x / 2	
DIMENSIONS																	
6	Maximum fork height - with standard two-stage mast	in	mm	131.0	3,330	131.0	3,330	131.0	3,330	131.5	3,340	131.5	3,340	130.5	3,320	132.0	3,350
7	Free fork height - with standard two-stage mast	in	mm	4.5	115	4.5	115	4.7	120	5.1	130	5.1	130	5.3	135	5.5	140
8	Forks - length x width x thickness	in	mm	42 x 3.9 x 1.4	1,070 x 100 x 35	42 x 3.9 x 1.4	1,070 x 100 x 35	42 x 3.9 x 1.6	1,070 x 100 x 40	42 x 3.9 x 1.6	1,070 x 100 x 40	42 x 3.9 x 1.6	1,070 x 100 x 40	42 x 4.9 x 1.8	1,070 x 125 x 45	42 x 4.9 x 1.8	1,070 x 125 x 45
9	Fork spacing, out-to-out minimum / maximum	in	mm	7.9 / 32.3	200 / 820	7.9 / 32.3	200 / 820	7.9 / 32.3	200 / 820	7.9 / 36.0	200 / 920	7.9 / 36.0	200 / 920	7.9 / 38.0	200 / 960	7.9 / 38.0	200 / 960
10	Tilt, forward / backward	deg		5 / 10		5 / 10		5 / 10		5 / 9		5 / 9		5 / 6		5 / 6	
11	Length to fork face	in	mm	82.0	2,090	83.5	2,120	86.0	2,180	90.5	2,295	92.5	2,355	96.5	2,455	98.0	2,485
12	Overall width with standard tires	in	mm	38.0	970	38.0	970	40.0	1,021	42.0	1,064	42.0	1,064	44.0	1,115	44.0	1,115
13	Overall width with standard tires (wide stance)	in	mm	39.5	997	39.5	997	N/A	N/A	44.5	1,128	44.5	1,128	45.5	1,155	45.5	1,155
14	Overall width with standard tires (wide axle)	in	mm	Not Applicable													
15	Height with mast lowered	in	mm	83.0	2,110	83.0	2,110	83.0	2,110	83.0	2,110	83.0	2,110	83.0	2,110	88.0	2,230
16	Seat height	in	mm	43.2	1,096	43.2	1,096	43.2	1,096	42.7	1,086	42.7	1,086	42.7	1,086	42.7	1,086
17	Height to top of overhead guard	in	mm	81.0	2,055	81.0	2,055	81.0	2,055	81.5	2,070	81.5	2,070	81.5	2,070	81.5	2,070
18	Height with mast extended	in	mm	179.0	4,550	179.0	4,550	179.0	4,550	179.5	4,560	179.5	4,560	178.5	4,540	180	4,570
19	Minimum outside turning radius	in	mm	70.0	1,775	71.0	1,810	73.0	1,850	77.5	1,965	79.5	2,020	82.5	2,095	83.5	2,125
20	Load moment constant	in	mm	15.3	388	15.3	388	15.9	404	16.3	414	16.3	414	17.2	436	17.4	441
21	Minimum aisle - 90° stack - zero clearance without load	in	mm	85.0	2,165	86.5	2,195	88.5	2,255	93.5	2,380	96.0	2,440	99.5	2,530	101.0	2,560
PERFORMANCE																	
22	Travel speed, loaded / empty	mph	km/h	9.5 / 10.0	15.5 / 16.5	9.5 / 10.0	15.5 / 16.5	9.5 / 10.0	15.5 / 16.5	11.0 / 11.5	17.5 / 18.0	11.0 / 11.5	17.5 / 18.0	10.0 / 10.5	16.5 / 17.0	10.0 / 10.5	16.5 / 17.0
23	Lift speed, loaded / empty	fpm	mm/s	120 / 125	620 / 630	120 / 125	620 / 630	120 / 125	620 / 630	115 / 115	580 / 590	115 / 115	580 / 590	105 / 105	530 / 540	105 / 105	530 / 540
24	Lowering speed, loaded / empty	fpm	mm/s	99 / 99	500 / 500	99 / 99	500 / 500	99 / 99	500 / 500	99 / 99	500 / 500	99 / 99	500 / 500	98 / 98	500 / 500	98 / 98	500 / 500
25	Drawbar pull - loaded at 1 mph (1.6 kph)	lb	N	3,760	16,700	3,750	16,700	3,660	16,300	3,750	16,700	3,710	16,500	4,840	21,500	4,820	21,500
26	Drawbar pull - loaded maximum	lb	N	3,950	17,600	4,340	19,300	4,530	20,100	5,070	22,600	5,840	26,000	6,800	30,200	7,280	32,400
27	Gradeability - loaded at 1 mph (1.6 kph)	%		45		40		36		35		29		33		31	
28	Gradeability - loaded maximum	%		50		47		42		41		34		38		35	
WEIGHT																	
29	Empty	lb	kg	6,070	2,760	6,450	2,930	7,010	3,180	7,360	3,340	8,160	3,710	9,490	4,310	9,940	4,510
30	Axle load without load, front / rear	lb	kg	2,320 / 3,750	1,050 / 1,710	2,180 / 4,270	990 / 1,940	2,070 / 4,940	940 / 2,240	3,050 / 4,310	1,390 / 1,950	2,830 / 5,330	1,290 / 2,420	2,900 / 6,590	1,320 / 2,990	2,880 / 7,060	1,300 / 3,210
31	Axle load with load, front	lb	kg	7,830	3,820	8,620	4,210	9,480	4,650	9,980	4,850	11,490	5,620	13,390	6,560	14,230	7,070
CHASSIS																	
32	Tire size, front (standard)	in		18x6x12.125		18x6x12.125		18x7x12.125		21x7x15		21x7x15		21x8x15		21x8x15	
33	Tire size, rear	in		14x5x10		14x5x10		14x5x10		16x6x10.5		16x6x10.5		16x6x10.5		16x6x10.5	
34	Wheelbase	in	mm	47.0	1,190	47.0	1,190	47.0	1,190	55.0	1,400	55.0	1,400	55.0	1,400	55.0	1,400
35	Tread width, front (standard tires)	in	mm	32.0	818	32.0	818	33.0	843	35.0	886	35.0	886	36.0	912	36.0	912
36	Tread width, front (wide-stance tires)	in	mm	33.5	845	33.5	845	N/A	N/A	37.5	950	37.5	950	37.5	952	37.5	952
37	Tread width, rear (standard tires)	in	mm	32.5	820	32.5	820	32.5	820	35.0	890	35.0	890	35.0	890	35.0	890
38	Ground clearance at lowest point of mast	in	mm	3.0	75.0	3.0	75.0	3.0	75.0	3.1	80.0	3.1	80.0	3.1	80.0	3.1	80.0
39	Ground clearance at center of wheelbase	in	mm	4.5	116	4.5	116	4.5	116	5.4	139	5.4	139	5.4	139	5.4	139
40	Service brakes	type		foot-operated, hydraulic		foot-operated, hydraulic		foot-operated, hydraulic		foot-operated, hydraulic		foot-operated, hydraulic		foot-operated, hydraulic		foot-operated, hydraulic	
41	Parking brakes	type		hand-operated, mechanical		hand-operated, mechanical		hand-operated, mechanical		hand-operated, mechanical		hand-operated, mechanical		hand-operated, mechanical		hand-operated, mechanical	
ELECTRICAL																	
42	Engine model			K21		K21		K21		K21		K21		K25		K25	
43	Continuous output (S.A.E. gross)	HP	kW	50	37.4	50	37.4	50	37.4	55	41.0	55	41.0	63	46.9	63	46.9
44		at rpm		2,400		2,400		2,400		2,700		2,700		2,700		2,700	
45	Maximum torque (S.A.E. gross)	lb-ft	Nm	111	151	111	151	111	151	111	151	111	151	139	188	139	188
46		at rpm		2,000		2,000		2,000		2,000		2,000		1,600		1,600	
47	Cylinder displacement	cu in	L	126	2.1	126	2.1	126	2.1	126	2.1	126	2.1	152	2.5	152	2.5
48	Transmission type			powershift		powershift		powershift		powershift		powershift		powershift		powershift	
49	Number of transmission speeds, forward / reverse			1 / 1		1 / 1		1 / 1		1 / 1		1 / 1		1 / 1		1 / 1	
50	Battery	volts		12		12		12		12		12		12		12	
HYDRAULICS																	
51	Relief pressure	psi	bar	2,250	155	2,250	155	2,250	155	2,250	155	2,250	155	2,250	155	2,250	155
52	Hydraulic flow	gpm	L/min	19.0	72.0	19.0	72.0	19.0	72.0	23.5	89.1	23.5	89.1	23.5	89.1	23.5	89.1

Call-out numbers shown in the diagram below correspond to the first column of the specifications chart.

# FGC15N- FGC33N



## SAFETY STANDARDS

These trucks meet American National Standards Institute/Industrial Truck Standards Development Foundation, ANSI/ITSDF B56.1. UL-Classified by Underwriters Laboratories, Inc., as to fire and electric shock hazard only; Type LP, LPS (optional), Industrial Trucks. Users should be aware of, and adhere to, applicable codes and regulations regarding operator training, use, operation and maintenance of powered industrial trucks, including:

- ANSI/ITSDF B56.1.
- NFPA 505, fire safety standard for powered industrial trucks - type designations, areas of use, maintenance and operation.
- Occupational Safety and Health Administration (OSHA) regulations that may apply.

Specifications, equipment, technical data, photos and illustrations based on information at time of printing and subject to change without notice. Some products may be shown with optional equipment.

# FGC15N-FGC33N

3,000-6,500 LB CAPACITY CUSHION TIRE FORKLIFT

## Delivering Exceptional Value

### More Than 296,000 Parts To Keep You Running

Mitsubishi Forklift Trucks offers several parts programs, all designed to bring you top performance and convenience for your material handling needs. Contact your local dealer to put our services to work for you.

### Support To Fit Your Operation

Find out why more companies are relying on Mitsubishi forklift truck dealers to keep their fleet operating at top performance. Our efficiency provides customers with a better return on investment, and qualified service technicians, diverse parts inventory and unparalleled selection of service options can help reduce your total cost of ownership.

### Extensive Dealer Network

The Mitsubishi forklift truck dealer network is dedicated to finding the right forklift solution for your business. With more than 300 dealer locations, you can rely on your local dealer to provide the service you need when you need it most.



Manufactured with superior quality and exceptional value, Mitsubishi forklift trucks are supported by an extensive dealer and field support network located throughout North and South America. Don't forget to ask your local Mitsubishi forklift truck dealer about details on factory retail programs, financing plans and additional options and dealer services like planned maintenance and operator training.