

MEET THE END-RIDER WITH REAL MOVING POWER.

PWR30/PWR40

6,000 AND 8,000 LB CAPACITY ELECTRIC WALKIE END-RIDER

1. Fast

Top Speed

Achieving speeds up to 9.3 mph, these end-riders are the fastest in the industry, helping you get more done in less time.

Quick Acceleration

Maximum speed combined with smooth and precise control is at your operators' fingertips due to the high-output controller and optimized programming.

2. Efficient

Electromagnetic Brake

The PWR30/PWR40 electromagnetic brake system provides increased reliability and is substantially easier to maintain than mechanical brake systems due to reduced wear on the brake components.

Regenerative Braking

Whether plugging or coasting, regenerative braking allows the truck to come to a stop prior to the electromagnetic brake being applied, minimizing additional wear in the system.

3. Durable

Incline Performance

This truck achieves high levels of performance and control on slopes due to the motor and high output controller. This level of performance supports your operators in moving more pallets in less time.

Reliable Strength

This series has fabricated forks that are the thickest in the industry. Combined with cast steel fork tips, they are designed to withstand the harshest of environments.

4. Comfortable

Operator Control

With the responsive regenerative braking system, your operators can smoothly brake while maintaining load stability. This can increase productivity by reducing fatigue caused by frequent directional changes.

Enhanced Ergonomics

The spacious operator platform allows your operators to comfortably adjust their position throughout the day. The foot alcove allows for a wider stance to help ensure your operators' feet are fully on the platform.



CHARACTERISTICS			PWR30 ^[1]		PWR40 ^[1]	
1	Type		electric walkie end-rider		electric walkie end-rider	
2	Capacity at rated load center	lb kg	6,000	2,700	8,000	3,600
3	Capacity load center - distance from fork face	in mm	24.0	600	24.0	600
DIMENSIONS						
4	Wheelbase (forks raised)	in mm	61.5 ^[2]	1,560 ^[2]	81.5 ^[2]	2,068 ^[2]
5	Track width, rear	in mm	17.8	450	17.8	450
6	Maximum lift height	in mm	8.7	222	8.7	222
7	Lowered fork height	in mm	3.35	85	3.35	85
8	Overall length	in mm	90	2,287	138	3,507
9	Length to fork face (headlength)	in mm	42.3	1,076	42.3	1,076
10	Overall width	in mm	35.8	910	35.8	910
11	Fork dimensions	in mm	2.4 / 9.0 / 47.7	60 / 229 / 1,211	2.4 / 9.8 / 95.7	60 / 248 / 2,431
12	Overall width across forks	in mm	26.8	679	27.5	698.2
13	Ground clearance, center of wheelbase	in mm	0.98	25.2	1.07	27.2
14	Turning radius (forks raised)	in mm	78.0 ^[2]	1,981 ^[2]	97.9 ^[2]	2,487 ^[2]
PERFORMANCE						
15	Travel speed, loaded / unloaded	mph kph	7.1 / 9.3	11.4 / 15	6.2 / 9.3	10 / 15
16	Lift speed, loaded / unloaded	ft/min m/s	8.0 / 9.8	0.040 / 0.050	7.5 / 9.8	0.038 / 0.050
17	Gradeability, loaded / unloaded	%	13 / 25		10 / 25	
WEIGHT						
18	Service weight including maximum weight battery (see line 31)	lb kg	2,730	1,240	3,030	1,375
19	Axle loading, loaded front / rear including maximum weight battery	lb kg	3,100 / 5,630	1,420 / 2,520	2,795 / 8,235	1,300 / 3,675
20	Axle loading, unloaded front / rear including maximum weight battery	lb kg	2,020 / 710	918 / 322	2,115 / 915	960 / 415
CHASSIS						
21	Tires		PU (polyurethane)		PU (polyurethane)	
22	Tire size, drive tire	in mm	12.0 x 5.0	305 x 127	12.0 x 5.0	305 x 127
23	Tire size, load wheels (x2)	in mm	3.27 x 6.5	83 x 165	3.27 x 6.5	83 x 165
24	Casters (dimensions) (x2)	in mm	4.0 x 2.5	101 x 63	4.0 x 2.5	101 x 63
25	Service brake		regenerative		regenerative	
26	Parking brake		electromagnetic		electromagnetic	
ELECTRICAL						
27	Drive motor rating 60 minutes	HP kW	4.3	3.2	4.3	3.2
28	Lift motor rating at 10%	HP kW	2.0	1.5	2.0	1.5
29	Battery voltage, nominal capacity (at 6 hour rate)	V / Ah	24 / 840		24 / 840	
30	Battery weight (minimum)	lb kg	970	440	970	440
31	Battery weight (maximum)	lb kg	1,430	650	1,430	650
32	Type of drive control		3-phase AC drive control		3-phase AC drive control	
33	Steering		mechanical		mechanical	

		Standard Fork Tip				Extended Fork Tip		
Nominal Fork Length	inches	36.0	42.0	48.0	60.0	84.0	93.0	96.0
Actual Fork Length	l inches	35.7	41.7	47.7	59.6	83.7	92.7	95.7
Overall Length	inches	78.0	84.0	90.0	102.0	126.1	135.1	138.1
Wheelbase (raised)	y inches	49.4	55.4	61.5	73.4	81.4	81.4	81.5
Load Wheel Distance	x inches	28.3	34.3	40.3	52.3	60.3	60.3	60.3
Fork Tip Length	l-x inches	7.3	7.3	7.3	7.3	23.4	32.4	35.4
Grade Clearance	%	37.8	33.5	30.1	25.0	22.5	22.5	22.5
Turning Radius (raised)	Wa inches	66.1	72.0	78.0	89.9	97.9	97.9	97.9
Fork Width	inches	9.0	9.0	9.0	9.0	9.8	9.8	9.8

SAFETY STANDARDS

These trucks meet American National Standards Institute/Industrial Truck Standards Development Foundation, ANSI/ITSDF B56.1. UL-Classified by Underwriters Laboratories, Inc., as to fire and electric shock hazard only; Type E, EE (optional), Industrial Trucks. Users should be aware of, and adhere to, applicable codes and regulations regarding operator training, use, operation and maintenance of powered industrial trucks, including:

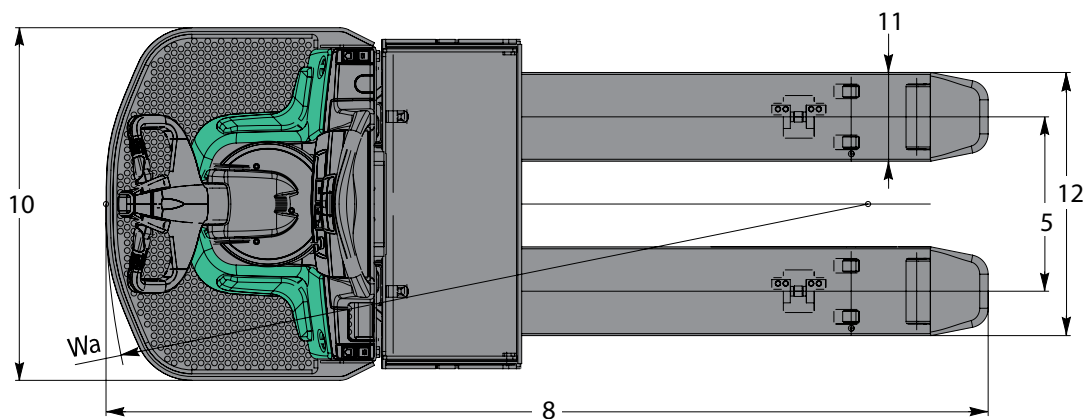
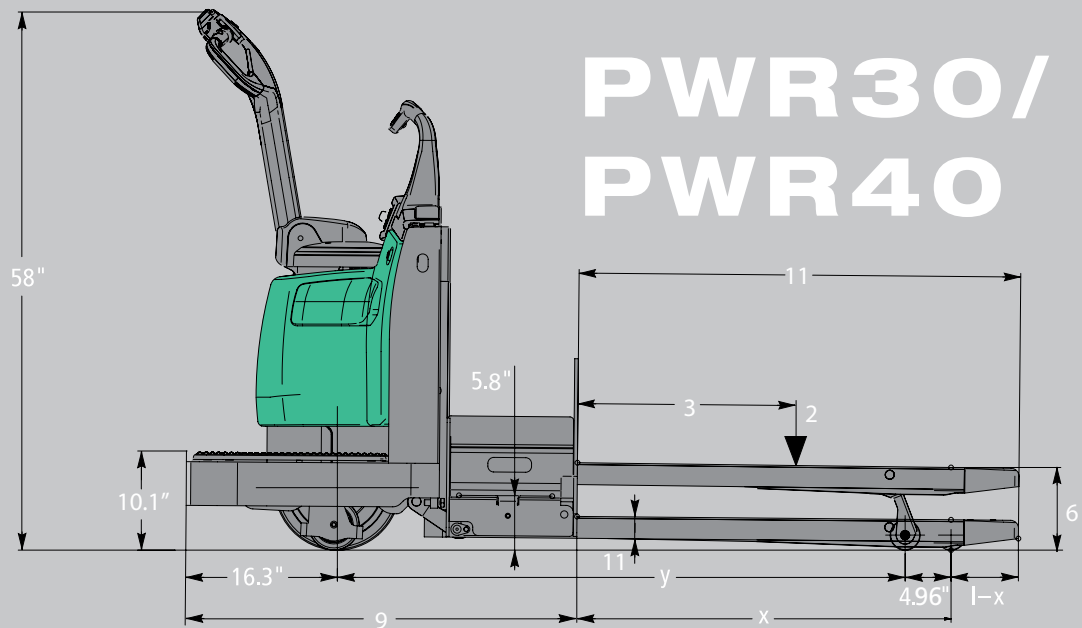
- ANSI/ITSDF B56.1.
- NFPA 505, fire safety standard for powered industrial trucks -type designations, areas of use, maintenance and operation.
- Occupational Safety and Health Administration (OSHA) regulations that may apply.

Specifications, equipment, technical data, photos and illustrations based on information at time of printing and subject to change without notice. Some products may be shown with optional equipment.

[1] PWR30 with 27 x 48 inch forks and standard fork tip; the PWR40 with 27 x 96 inch forks and extended fork tip

[2] Load section lowered: add 4.96 inches

Call-out numbers shown in the diagram below correspond to the first column of the specifications chart.



PWR30/PWR40

6,000 AND 8,000 LB CAPACITY ELECTRIC WALKIE END-RIDERS

Flexible Operation

1. Multiple Applications

Adaptability is key with the PWR30/PWR40 end riders, making it the prime solution for a wide variety of applications. For ground-level jobs, its speed and efficiency are hard to match.

2. Long Distances

Long travel distances can sometimes be an obstacle in food packaging, general stocking and manufacturing applications. The PWR30 series can be equipped with many ergonomic features such as an optional suspended platform – helping to take some of the stress out of the long runs.

3. Corrosive Applications

The end-rider's corrosion protection options include galvanized components such as frames, pull rods, load wheel linkage, lift linkage and forks, helping to provide increased durability in harsh environments.

4. Order Picking

The electric coast control option saves time and energy by eliminating the need for the operator to step back onto the truck in order to move onto the next pick.



Manufactured with superior quality and exceptional value, Mitsubishi forklift trucks are supported by an extensive dealer and field support network located throughout North and South America. Don't forget to ask your local Mitsubishi forklift truck dealer about details on factory retail programs, financing plans and additional options and dealer services like planned maintenance and operator training.



© 2014 MCFA. All rights reserved. All registered trademarks are the property of their respective owners. Some products may be shown with optional equipment. Printed in U.S.A.

