

High energy efficiency due to maintenance-free AC drive motor

Effortless operation with JetPilot electric steering

Curve Control for advanced stability when turning

Electronic SpeedControl for smooth travel

Solid-pneumatic rear wheels for increased vibration absorption



EZS 350NA

Tow Tractor (11,000 lbs.)

The EZS 350NA tow tractor offers high performance for increased productivity. By combining Jungheinrich® AC technology with advanced regenerative braking, this tow tractor can efficiently work up to two shifts on a single battery charge in most applications. Combined with its effortless and intuitive electric power steering, this tow tractor puts your operators in control.

A heavy-duty, removable steel hitch plate accepts a wide variety of hitch types. These can be bolt- or weld-mounted within a generous height range, based on specific application requirements. The optional single pin and clevis-type tow hitch is visible from every position and is easily accessible.

The truck's high performance is due to the AC drive motor, which provides powerful acceleration and high travel speeds in addition to significant energy efficiency, longer operating times and low maintenance (through the omission of carbon brushes). This is a result of the effective design between the drive motor, the electronic controller and the regenerative braking function.

The EZS 350NA offers several ergonomic features, including an extremely low step height of 5.2 inches for frequent entry and exit to the platform. A kneepad and padded backrest with grab handle provide further operator comfort. Vibrations felt during travel are effectively minimized due to solid-pneumatic rear wheels and a suspended, stand-on platform with cushioned rubber mat.

The EZS 350NA also operates effortlessly when turning in confined spaces, due to its short turning radius and electric steering offered through the JetPilot steering wheel. The limited steering arc of the JetPilot helps to ensure the operator's upper body remains within the confines of the truck compartment during sharp turns, increasing operator confidence and reducing fatigue.

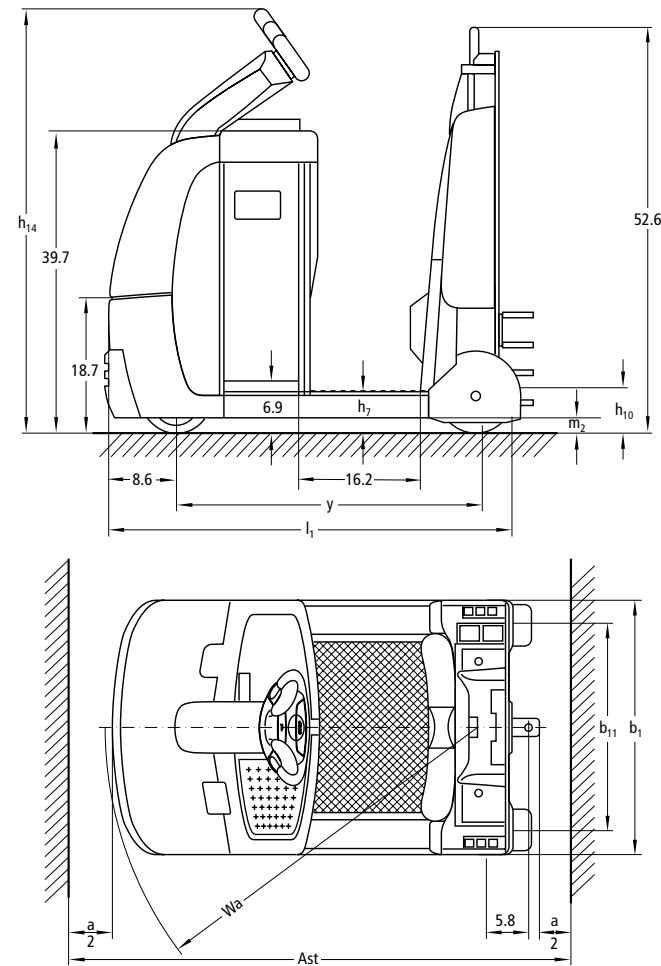
The tow tractor also includes Curve Control for added stability, automatically reducing speed when turning, which enhances control of the truck during operation.

 **JUNGHEINRICH**
Machines. Ideas. Solutions.®

EZS 350NA

Technical data

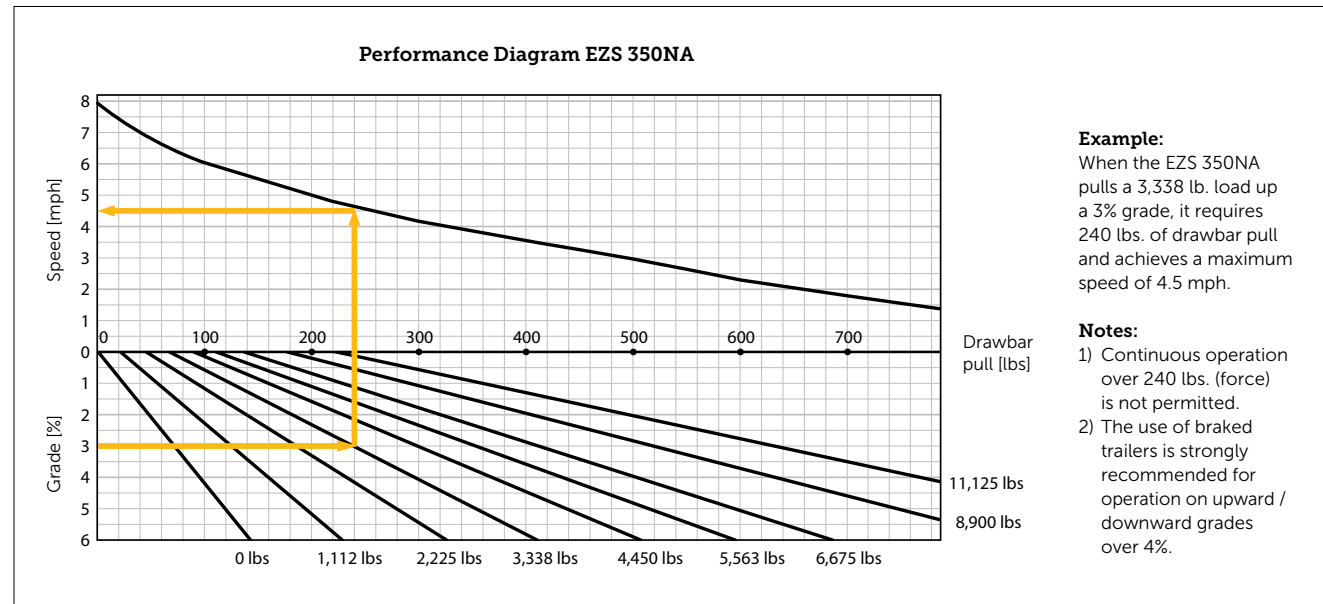
as of: 11/2013



Characteristics	1.1	Manufacturer			Jungheinrich			
	1.2	Model			EZS 350NA			
	1.3	Drive			electric			
	1.4	Type of operation			tractor / ride-on			
	1.5	Load capacity / rated load	Q	lbs	kg	11,000	5,000	
Weights	1.9	Wheelbase	y	in	mm	45.2	1,147	
	2.1	Service weight with minimum weight battery		lbs	kg	2,398	1,088	
	2.3	Axle loading – unloaded, front / rear		lbs	kg	1,275 / 1,123	578 / 510	
Wheels, Chassis	3.1	Tires, drive / rear			polyurethane / solid pneumatic			
	3.2	Tire size, drive		in	mm	9.1 x 3.0	230 x 77	
	3.3	Tire size, rear		in	mm	9.8 x 3.1	250 x 80	
	3.5	Wheels – number, drive / rear			1 / 2			
	3.7	Tread width, rear	b_{11}	in	mm	26.8	680	
Dimensions	4.8	Step height	h_7	in	mm	5.2	132	
	4.9	Steering wheel height in drive position, min. / max.	h_{14}	in	mm	56.9 ¹⁾	1,444 ¹⁾	
	4.12	Tow hitch (coupling) height	h_{10}	in	mm	6.2 ⁵⁾	158 ⁵⁾	
	4.19	Overall length	l_1	in	mm	59.7 ²⁾	1,517 ²⁾	
	4.21	Overall width	b_1	in	mm	31.9	810	
	4.32	Ground clearance, center of wheelbase	m_2	in	mm	2.0	50	
Performance	4.35	Turning radius	Wa	in	mm	54	1,370	
	5.1	Travel speed, loaded / unloaded		mph	kph	4.3 / 7.8 ³⁾	7.0 / 12.5 ³⁾	
	5.5	Drawbar pull, loaded / unloaded		lbs	N	225 ⁴⁾	1,000 ⁴⁾	
	5.6	Maximum drawbar pull, loaded / unloaded		lbs	N	786 ³⁾	3,200	
	5.7	Gradeability, loaded / unloaded		%		– ³⁾	– ³⁾	
	5.8	Maximum gradeability, loaded / unloaded		%		– ³⁾	– ³⁾	
	5.10	Service brake			electric			
	Electrical	6.1	Drive motor, rating S_2 60 minutes		hp	kW	2.8	3.8
		6.4	Battery voltage			V	24	
			Battery, nominal capacity			Ah	570-750	
Other	6.5	Battery weight (minimum, maximum)		lbs	kg	984 / 1,087	446 / 493	
	8.1	Type of drive control			AC SpeedControl			
	8.4	Sound level at driver's ear		dB (A)	66			

- 1) JetPilot (steer wheel) height.
- 2) Total length without tow hitch, as different tow hitch types (lengths) are available.
- 3) See diagram.
- 4) Nominal tractive power.
- 5) Other coupling heights available.

This specification sheet only provides technical values for the standard truck. Non-standard tires, different masts, additional equipment, etc., could produce other values. Rights reserved for technical changes and improvements.



The Jungheinrich Advantage

Innovative AC technology

Jungheinrich AC motors provide increased efficiency and reduced operating costs.

The benefits:

- Outstanding efficiency due to excellent energy management.
- Powerful acceleration.
- Quick directional changes without hesitation.
- No carbon brushes to replace—for a nearly maintenance-free drive motor.

Controlled travel

SpeedControl, an impulse controller, and Curve Control, for automatic speed reduction when turning, work together to facilitate controlled, smooth travel and provide adjustable drive characteristics for most applications.

- The requested travel speed is maintained on both upward / downward grades.
- Three pre-set, adjustable travel programs allow for customization to suit most applications.
- Regenerative braking with energy reclamation during deceleration.
- Programmable Curve Control greatly enhances control of the truck during operation.

Optimum ergonomics

The ergonomic features available on the EZS 350NA will help keep operators comfortable and productive throughout the day.

- Suspended, stand-on platform with low step height for frequent entry and exit.
- Padded backrest with grab handle and knee pad in operator compartment.
- Short travel distance for the operator from the driving position to the hitch or load.
- The tow hitch is visible from most positions and is easily accessible.
- Electric steering and programmable Curve Control with JetPilot steering wheel for steady control.
- Solid pneumatic rear tires provide smoother travel and reduced vibrations for ease of use and comfort.



JetPilot steering wheel

Rugged construction for the toughest applications

- Chassis made of high-quality 0.31 inch thick steel plate.
- Extra high bumper on front chassis helps protect the motor compartment from possible impact damage.

Long operating times

- The combination of energy-saving Jungheinrich AC technology and battery capacities up to 750 Ah provide longer operating times for increased productivity.

Informed operation

- Three color LED battery discharge indicator (BDI) is standard.
- Optional "CanDis" BDI with 10-bar visual charge indicator, hour-meter and service code display.
- Optional "CanCode" keypad allows for secure truck activation via PIN and includes three pre-set travel programs.
- When combined, CanDis and CanCode allow for quick adjustment of speed, acceleration and motor brake parameters without a laptop.

Available options

A wide range of options to fit your specific application needs, including:

- Multiple couplers and hitches
- Forward / reverse pedestrian touch control.
- Rubber or steel bumper.
- Extended backrest with flip-down seat (adjustable to three different height positions).
- Back-up alarm.
- Traction and non-marking drive wheels.
- Backrest-mounted strobe light.
- Front working light.

Built in compliance with ANSI/ITSDF B56.1 design specifications for Type E industrial trucks with Type EO battery.



Custom tow hitches available

Parts when you need them

Jungheinrich's Parts Fast or Parts Free Guarantee ensures next-business-day delivery by 5:00 PM of all Jungheinrich parts in the United States, or they're free, including freight. For customers in Canada and Mexico, the guarantee ensures shipping of parts within 24 hours from the time the order was placed by the dealer. See your local Jungheinrich dealer for program details.

* Programs may be subject to change without notice and may vary by region. Please ask your local Jungheinrich dealer for complete terms and conditions.

