

Jungheinrich® proprietary 3-phase AC technology in drive, lift and steering motors

Solid pneumatic tires and high ground clearance for indoor and outdoor use

Side-facing seat provides excellent visibility when transporting high loads

Smooth and sensitive operation with SOLO-PILOT hydraulic control

Jungheinrich Curve Control for advanced stability during cornering

All weather cabins for frequent outdoor applications (optional)



ETV C16 / ETV C20

Electric Moving Mast Reach Truck (3,500; 4,400 lbs.)

The ETV C16/C20 series of reach trucks is suitable for both indoor and outdoor use, including operation on smooth concrete warehouse floors or for loading/unloading on bumpy asphalt surfaces. Whether handling pallets, operating in single- or multi-shift applications or frequently working outside, these reach trucks provide the ideal solution.

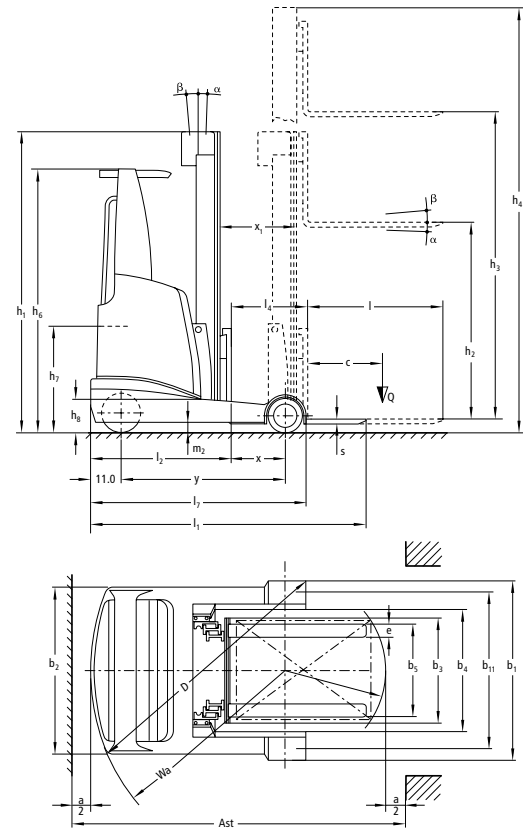
The key advantages:

- Flexible for indoor and outdoor operation on different surfaces. Suitable for applications with smooth, concrete

floors in the warehouse or for loading and unloading outside on bumpy, uneven asphalt surfaces.

- Compact chassis design allows the truck to work in a narrow working aisle (widths from 111 inches).
- Higher productivity and fewer maintenance requirements due to Jungheinrich's proprietary 3-phase AC technology.
- A highly-adjustable and extremely comfortable operator compartment helps provide a premium experience for the operator.

The ETV C16 / ETV C20 can be used at high levels for efficient stacking and retrieval of pallets that need to be transferred in narrow aisles. Whether handling pallets, working in drive-in racking, operating in single- or multi-shift applications, or frequently working outside with an optional weather-proof cabin – the ETV C16 / ETV C20 reach trucks provide the ideal solution for virtually every application.



Standard mast types										
Designation	Collapsed mast height		Lift height		Free lift		Extended mast height		Mast tilt forward / backward	
	in	mm	in	mm	in	mm	in	mm	in	mm
Three-stage mast DZ (Full free-lift)	77	1,950	114	2,900	3.1	80	156	3,944	2 / 5	51 / 127
	81	2,050	122	3,100	3.1	80	164	4,144	2 / 5	51 / 127
	87	2,200	133	3,400	3.1	80	175	4,444	2 / 5	51 / 127
	91	2,300	141	3,600	3.1	80	183	4,644	2 / 5	51 / 127
	95	2,400	149	3,800	3.1	80	191	4,844	2 / 5	51 / 127
	99	2,500	157	4,000	3.1	80	199	5,044	2 / 5	51 / 127
	107	2,700	173	4,400	3.1	80	215	5,444	2 / 5	51 / 127
Three-stage mast DZ (ETV C16)	77	1,950	167	4,250	35.5	906	209	5,294	2 / 5	51 / 127
	81	2,050	179	4,550	39.5	1,006	221	5,594	2 / 5	51 / 127
	87	2,200	196	5,000	45.5	1,156	238	6,044	2 / 5	51 / 127
	90	2,280	206	5,240	48.5	1,236	248	6,284	2 / 4	51 / 102
	91	2,300	208	5,300	49.0	1,256	250	6,344	2 / 4	51 / 102
	94.5	2,400	220	5,600	53.0	1,356	262	6,644	2 / 4	51 / 102
	97	2,440	225	5,720	54.5	1,396	267	6,764	2 / 4	51 / 102
	98	2,470	228	5,810	56.0	1,426	270	6,854	2 / 4	51 / 102
	99	2,500	232	5,900	57.0	1,456	274	6,944	2 / 4	51 / 102
	103	2,600	244	6,200	61.0	1,556	286	7,244	2 / 4	51 / 102
Three-stage mast DZ (ETV C20)	87	2,200	185	4,700	42.0	1,150	231	5,766	2 / 4	51 / 102
	91	2,300	196	5,000	46.0	1,250	242	6,066	2 / 4	51 / 102
	94.5	2,400	208	5,300	50.0	1,350	254	6,366	2 / 4	51 / 102
	98	2,480	218	5,560	53.0	1,430	265	6,626	2 / 4	51 / 102
	99	2,500	220	5,600	53.5	1,450	266	6,666	2 / 4	51 / 102
	103	2,600	232	5,900	57.5	1,550	278	6,966	2 / 4	51 / 102
	105	2,650	238	6,050	59.5	1,600	284	7,126	2 / 4	51 / 102
	107	2,700	244	6,200	61.5	1,650	290	7,266	2 / 4	51 / 102
	115	2,900	267	6,800	69.5	1,850	313	7,866	2 / 4	51 / 102
	117	2,950	273	6,950	71.5	1,900	319	8,026	2 / 4	51 / 102
123	3,100	291	7,400	77.5	2,050	337	8,466	2 / 4	51 / 102	

*Includes standard load backrest with height 39.5 inches.

Characteristics				Jungheinrich ETV C16 DZ*		Jungheinrich ETV C20 DZ*	
	Q	lbs	kg				
1.1	Manufacturer			Jungheinrich		Jungheinrich	
1.2	Model			ETV C16 DZ*		ETV C20 DZ*	
G = fork, E = integrated sideshift							
1.3	Drive			GE		GE	
electric							
1.4	Type of operation			seated		seated	
1.5	Load capacity / rated load	Q	lbs	3,500	1,580	4,400	1,980
1.6	Load center distance	c	in	24	610	24	610
1.8	Load distance, center of drive axle to fork	x	in	16 ¹⁾	400 ¹⁾	17 ¹⁾	421 ¹⁾
Mast pushed forward				x ₁	in	mm	11
1.9	Wheelbase	y	in	57	4,460	60	1,520
Weights							
2.1	Service weight including battery (see line 6.5)		lbs	8,025	3,640	8,841	4,010
2.3	Axle loading – unloaded, drive / load		lbs	4,916 / 3,109	2,230 / 1,410	5,313 / 3,527	2,410 / 1,600
2.4	Axle loading – fork advanced, loaded drive / load		lbs	14,77 / 10,075	670 / 4,570	1,124 / 12,125	510 / 5,500
2.5	Axle loading – fork retracted, loaded drive / load		lbs	4,332 / 7,220	1,965 / 3,275	4,731 / 8,519	2,146 / 3,864
Wheels, Chassis							
3.1	Tires			SE		SE	
3.2	Tire size, drive		in	mm	17.8 / 6.3-9.7	180 / 60-10	17.8 / 6.3-9.7
3.3	Tire size, load		in	mm	17.8 / 6.3-9.7	180 / 60-10	17.8 / 7.8-9.7
3.5	Wheels – number, drive / load (x = driven wheels)			1x / 2		1x / 2	
3.7	Track width, load side	b ₁₁	in	mm	48	1,210	49
4.1	Mast – fork carriage tilt, forward / backward			degrees		2 / 4 ²⁾	
4.2	Collapsed mast height	h ₁	in	mm	91	2,300	94.5
4.3	Free-lift	h ₂	in	mm	49 ³⁾	1,656	50 ³⁾
4.4	Maximum fork height (MFH)	h ₃	in	mm	208	5,300	208
4.5	Overall extended height (OAE)	h ₄	in	mm	250 ⁵⁾	5,944	254 ⁵⁾
4.7	Overhead load guard (cab) height	h ₆	in	mm	89	2,250	89
4.8	Seat height / standing height	h ₇	in	mm	42	1,060	42
4.10	Height of outriggers	h ₈	in	mm	18	464	18
4.19	Overall length	l ₁	in	mm	98 ¹⁾	2,484 ¹⁾	99 ¹⁾
4.20	Length to fork face, headlength	l ₂	in	mm	53 ¹⁾	1,334 ¹⁾	54 ¹⁾
4.21	Overall width	b ₁ / b ₂	in	mm	54 / 50	1,370 / 1,270	55 / 50
4.22	Fork dimensions, thick / width	s / e / l	in	mm	1.5 / 4.7 / 45	40 / 120 / 1,150	2.0 / 5.5 / 45
4.23	Fork carriage, class / type A,B			2 / B		2 / B	
4.24	Fork carriage width	b ₃	in	mm	31.5	800	31.5
4.25	Overall fork width	b ₅	in	mm	14 / 27	356 / 692	14 / 28
4.26	Distance between outriggers	b ₄	in	mm	37	940	37
4.28	Reach distance	l ₄	in	mm	27 ¹⁾	690 ¹⁾	28 ¹⁾
4.32	Ground clearance, center of wheelbase	m ₂	in	mm	3.1 ³⁾	80 ³⁾	3.1 ³⁾
4.33	Aisle width (for 48 x 40 in / 1,219 x 1,016 mm pallets)	Ast	in	mm	113 ¹⁾	2,870 ¹⁾	112 ¹⁾
4.34	Aisle width (for 48 x 48 in / 1,219 x 1,219 mm pallets)	Ast	in	mm	115 ¹⁾	2,927 ¹⁾	117 ¹⁾
4.35	Truck diagonal	D	in	mm	87	2,205	89
4.35	Turning radius	Wa	in	mm	68	1,735	71
4.37	Length to tip of outrigger	l ₇	in	mm	78	1,986	81
Performance							
5.1	Travel speed, loaded / unloaded		mph	km/h	7 / 8 ⁴⁾	11.8 / 12.2 ⁴⁾	7 / 8 ⁴⁾
5.2	Lift speed, loaded / unloaded		ft / min	m / s	79 / 138	0.40 / 0.70	63 / 118
5.3	Lowering speed, loaded / unloaded		ft / min	m / s			

The Jungheinrich Advantage

Powerful mast

Jungheinrich masts provide maximum space utilization at high lift heights.

- Excellent visibility towards the load.
- Integrated sideshift.
- Low collapsed heights combined with high lift heights.
- Smooth mast tilt.
- High residual capacities at MFH.
- Lift heights up to 24.3 feet.
- Integrated hose routing for auxiliary hydraulics (no hose reel).

Ergonomic operator compartment

The operator compartment provides ideal working conditions for high performance and ease of operation.

- Horizontally- and vertically-adjustable steering wheel.
- Full-suspension comfort seat with adjustment features such as seating position, backrest and body weight.
- Side-facing seat offers enhanced visibility when transporting heavy loads.
- Numerous storage options.
- Generous space available in compartment.
- Electric 180° steering and optimally-positioned steering wheel.
- Automatic centering of sideshift at the push of a button (optional).



Ergonomic operator compartment

Easy control with SOLO-PILOT

- Multiple control handles are used to activate all hydraulic functions, including lifting / lowering, travel direction, sideshift and the horn.
- All operating controls are visible and have a designated function. Mast reach and mast tilt are controlled by two separate levers.
- SOLO-PILOT also controls auxiliary equipment, such as the fork positioner (optional).
- Precise operation through application of all functions.
- Comfortable posture with padded armrest.



SOLO-PILOT

Easy-to-read operator display

- Travel direction and wheel position display.
- Battery discharge indicator.
- Three adjustable travel programs to suit every application.
- Operating hours and clock.
- Lift height and load weight (optional).

Jungheinrich's proprietary 3-phase AC technology

Powerful 3-phase AC technology in drive, lift and steering motors offers several advantages over traditional DC motors.

- Powerful acceleration.
- Quick plugging without hesitation.
- Greater operational availability due to maintenance-free motors without carbon brushes, brush springs or commutators.
- Longer operating times due to energy reclamation during braking.



Comfortable weather-proof cabin

All weather cabins (optional)

Weather-proof cabins are available in three designs (Economy, Comfort 1, Comfort 2) and provide enhanced protection during frequent outdoor use.

- Economy offers a roof and front screen.
- Comfort 1 offers a roof, and front and side screens for protection against frequent use in rainy conditions.
- Comfort 2 offers a roof, front and side screens and a door for complete protection.

