

High performance and high energy efficiency with 4th generation AC technology

Ergonomic and easily adjustable operator compartment

SOLO- or MULTI-PILOT integrated into the adjustable armrest

Sealed components to help protect against dust and moisture



EFG 425 – S30

Electric Four-Wheel Counterbalanced Trucks (5,000 – 6,500 lbs.)

The advantages of electrics

The newest generation of 3-phase AC technology offers a number of benefits:

- Maximum throughput with high acceleration, travel and lift speeds.
- Minimal energy consumption due to high efficiency and energy recovery.
- Minimal service costs due to the reduction of mechanical and hydraulic components.

The advantage: industry-leading drive and lift performance levels and the ability to run up to two shifts on a single battery charge in most applications. Combine this with reduced maintenance requirements, and you can significantly reduce your total cost of ownership.

Outdoor applications

Harsh environments are no problem for the EFG 425-S30 series of forklifts because major electrical components are highly sealed, including connectors, controllers, motors and more. The enclosed cabin option provides a comfortable and productive environment for operators – even in wet, cold or extreme conditions.

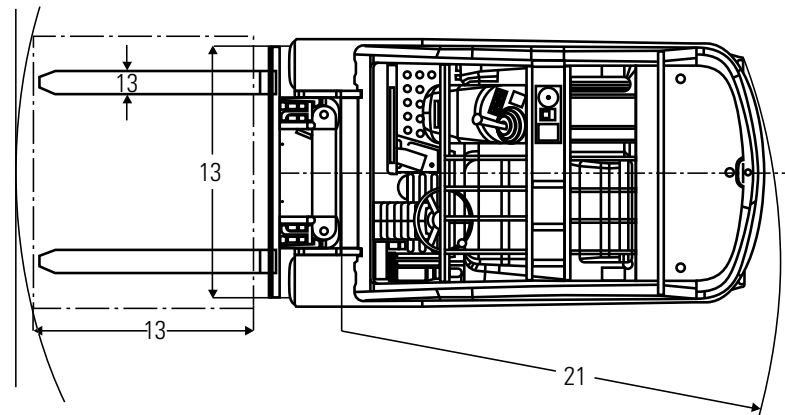
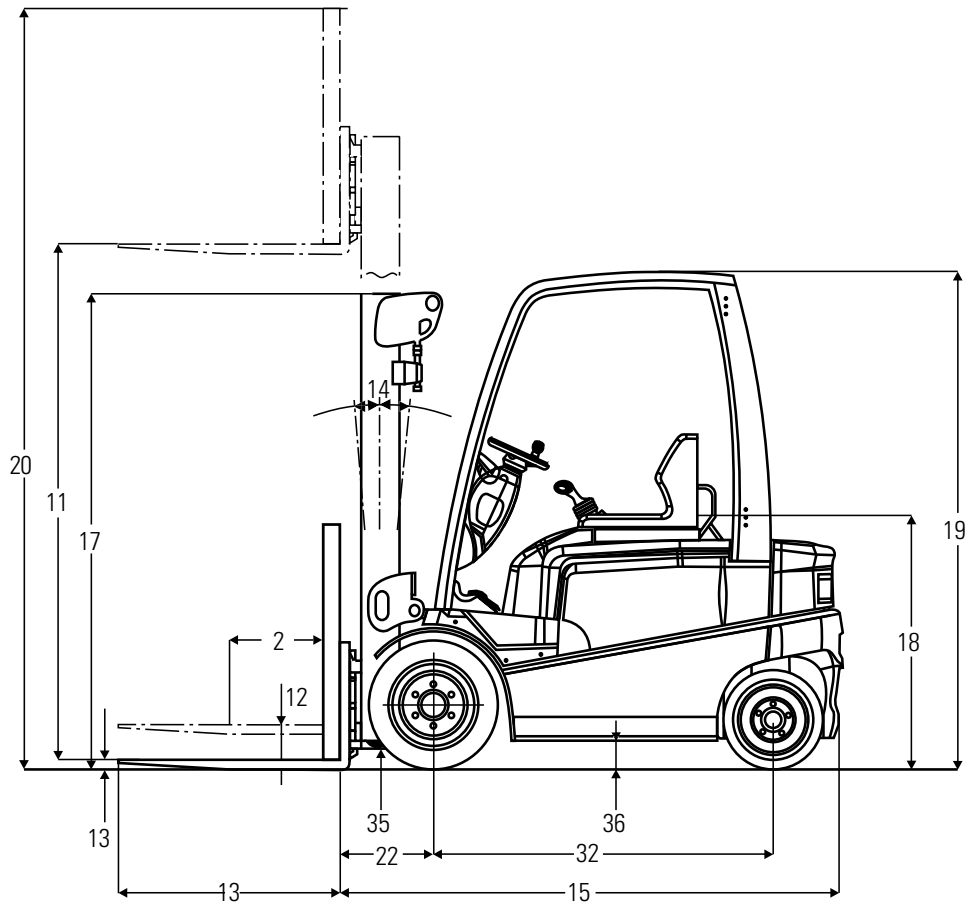
Technical data

as of: 09/2012

Characteristics					EFG 425k		EFG 425		EFG 430k		EFG 430		EFG S30		
			lb	kg	4,928	2,500	4,928	2,500	5,917	3,000	5,917	3,000	6,608	3,000	
Capacity	at rated load center		in	mm	24	500	24	500	24	500	24	500	24	600	
	at load center - distance														
	diesel, gasoline, LP gas, electric				electric		electric		electric		electric		electric		
	cushion, solid pneumatic				solid pneumatic		solid pneumatic		solid pneumatic		solid pneumatic		solid pneumatic		
	number front / rear				2x / 2		2x / 2		2x / 2		2x / 2		2x / 2		
Dimensions	maximum fork height		in	mm	122	3,100	122	3,100	122	3,100	122	3,100	122	3,100	
	free fork height		in	mm	5.9	150	5.9	150	5.9	150	5.9	150	5.9	150	
	thickness x width x length		in	mm	1.6x4.7x43	40x120x1,100	1.6x4.7x43	40x120x1,100	1.8x4.9x43	45x125x1,100	1.8x4.9x43	45x125x1,100	2.0x4.9x45	50x125x1,150	
	out-to-out minimum / maximum		in	mm	13.25 / 40.25	335 / 1,022	13.25 / 40.25	335 / 1,022	13.75 / 40.5	349 / 1,028	13.75 / 40.5	349 / 1,028	13.75 / 40.5	349 / 1,028	
	forward / backward		deg		6° / 8°		6° / 8°		6° / 8°		6° / 8°		6° / 8°		
	length to fork face		in	mm	90.4	2,295	96.1	2,440	90.6	2,300	96.3	2,445	96.5	2,450	
	width		standard	in	mm	47.2	1,198	47.2	1,198	47.2	1,198	47.2	1,198	51.2	1,300
			w/ wide stance drive wheels	in	mm	N/A		N/A		51.2		1,300		N/A	
	Overall dimensions		with lowered mast	in	mm	88.2	2,240	88.2	2,240	88.2	2,240	88.2	2,240	88.2	2,240
			seat height to SIP	in	mm	46.9	1,190	46.9	1,190	46.9	1,190	46.9	1,190	46.9	1,190
			to top of overhead guard	in	mm	88.2	2,240	88.2	2,240	88.2	2,240	88.2	2,240	88.2	2,240
with extended mast		in	mm	170	4,320	170	4,320	174	4,430	174	4,430	174	4,430		
Minimum outside turning radius		in	mm	78.7	2,000	84.7	2,150	78.7	2,000	84.7	2,150	84.7	2,150		
Load moment constant		in	mm	16.7	425	16.7	425	16.9	430	16.9	430	16.9	430		
Minimum aisle - 90° stack - zero clearance without load		in	mm	95.5	2,425	101.4	2,575	95.7	2,430	101.6	2,580	101.6	2,580		
Performance	travel speed		loaded	mph	km/h	10.0	16.0	10.0	16.0	10.0	16.0	10.0	16.0		
			empty	mph	km/h	10.6	17.0	10.6	17.0	10.6	17.0	10.6	17.0		
	lift speed		loaded	fpm	m/s	84.7	0.43	84.7	0.43	78.7	0.40	78.7	0.40		
			empty	fpm	m/s	108.3	0.55	108.3	0.55	108.3	0.55	108.3	0.55		
	lowering speed		loaded	fpm	m/s	114.2	0.58	114.2	0.58	114.2	0.58	114.2	0.58		
			empty	fpm	m/s	114.2	0.58	114.2	0.58	114.2	0.58	114.2	0.58		
	60 min. rating		loaded	lb-f	N	809	3,600	787	3,500	1,012	4,500	1,012	4,500		
			empty	lb-f	N	899	4,000	877	3,900	1,124	5,000	1,124	5,000		
	5 min. rating		loaded	lb-f	N	2,810	12,500	2,810	12,500	3,147	14,000	3,147	14,000		
			empty	lb-f	N	2,923	13,000	2,923	13,000	3,260	14,500	3,260	14,500		
	maximum gradeability		loaded	%		17		17		15		15		15	
	empty		%			25		25		23		23		23	
Weight	with minimum weight battery		lb	kg	10,472	4,750	10,311	4,677	11,530	5,230	11,303	5,127	11,876	5,387	
	with rated load		front	lb	kg	14,191	6,437	14,321	6,496	16,152	7,327	16,086	7,297	16,462	7,467
			rear	lb	kg	1,793	813	1,502	681	1,992	903	1,831	830	2,005	910
	without load		front	lb	kg	5,443	2,469	5,858	2,657	5,558	2,521	5,846	2,652	5,876	2,665
rear			lb	kg	5,029	2,281	4,453	2,020	5,950	2,699	5,457	2,475	5,985	2,715	
Chassis	Tire size		front, standard solid pneumatic tires		225/75-10		225/75-10		250/60-12		250/60-12		315/45-12		
			rear solid pneumatic tires		180/70-8		180/70-8		200/50-10		180/70-8		200/50-10		
	Tread width		front, standard solid pneumatic tires		in	mm	62.0	1,575	67.7	1,720	62.0	1,575	67.7	1,720	
			rear solid pneumatic tires		in	mm	39.0	990	39.0	990	37.4	950	37.4	950	
at lowest point at mast		in	mm	4.7	120	4.7	120	4.7	120	4.7	120	4.7	120		
at center of wheelbase		in	mm	5.3	135	5.3	135	5.3	135	5.3	135	5.3	135		
service				mechanical		mechanical		mechanical		mechanical		mechanical			
parking				electric		electric		electric		electric		electric			
dimensions (length x width x height)		in		27.99x40.47x30.87		33.66x40.47x30.87		27.99x40.47x30.87		33.66x40.47x30.87		33.66x40.47x30.87			
maximum capacity at 6 hr. discharge rate		Ah	kWh	700	54.4	700	54.4	700	54.4	700	54.4	700	54.4		
weight, minimum / maximum		lb	kg	3,263 / 4,037	1,480 / 1,831	3,902 / 4,436	1,770 / 2,012	3,263 / 4,037	1,480 / 1,831	3,902 / 4,436	1,770 / 2,012	3,902 / 4,436	1,770 / 2,012		
traction output (60 min. rating)		HP	kW	16.1	12.0	16.1	12.0	16.1	12.0	16.1	12.0	16.1	12.0		
lift output (15% rating)		HP	kW	24.8	18.5	24.8	18.5	24.8	18.5	24.8	18.5	24.8	18.5		
drive				impulse / AC		impulse / AC		impulse / AC		impulse / AC		impulse / AC			
hydraulic				AC		AC		AC		AC		AC			
Flow rate for attachments		gpm	lpm	6.6	25	6.6	25	6.6	25	6.6	25	6.6	25		
Relief pressure		for attachments at auxiliary	psi	bar	2,900	200	2,900	200	2,900	200	2,900	200	2,900	200	
Noise level		mean value at operator's ear			70		70		70		70		70		

Designation	Mast table EFG 425 - 430												Capacity table (kg)						
	Lift height h ₃		Free lift h ₂				Closed height h ₁		Extended height h ₄		Tilt forward/ backward α/β(°)		without sideshift single tires						
			in		mm								in		mm		lbs		kg
	in	mm	EFG 425		EFG 430/S30		in	mm	EFG 425		EFG 430/S30		EFG 425		EFG 430		EFG S30		
Two-stage mast ZT	114	2,900	6	150	6	150	84	2,115	138	3,490	142	3,600	6 / 8	5,420	2,500	6,510	3,000	6,510	3,000
	122	3,100	6	150	6	150	88	2,215	146	3,690	150	3,800	6 / 8	5,420	2,500	6,510	3,000	6,510	3,000
	130	3,300	6	150	6	150	92	2,315	154	3,890	158	4,000	6 / 8	5,420	2,500	6,510	3,000	6,510	3,000
	137	3,500	6	150	6	150	95	2,415	161	4,090	166	4,200	6 / 8	5,420	2,500	6,510	3,000	6,510	3,000
	145	3,700	6	150	6	150	99	2,515	169	4,290	174	4,400	6 / 8	5,420	2,500	6,510	3,000	6,510	3,000
	157	4,000	6	150	6	150	105	2,665	181	4,590	185	4,700	6 / 8	5,420	2,500	6,510	3,000	6,510	3,000
	169	4,300	6	150	6	150	113	2,865	193	4,890	197	5,000	6 / 8	5,420	2,500	6,510	3,000	6,510	3,000
	177	4,500	6	150	6	150	117	2,965	201	5,090	205	5,200	6 / 8	5,420	2,500	6,510	3,000	6,510	3,000
	185	4,700	6	150	6	150	121	3,065	209	5,290	213	5,400	6 / 5.5	5,420	2,500	6,510	3,000	6,510	3,000
	196	5,000	6	150	6	150	127	3,215	220	5,590	225	5,700	6 / 5.5	5,420	2,500	6,290	2,900	6,290	2,900
	216	5,500	6	150	6	150	139	3,515	240	6,090	245	6,200	6 / 5.5	4,990	2,300	5,750	2,650	5,750	2,650
	228	5,800	6	150	6	150	145	3,665	252	6,390	256	6,500	6 / 5.5	4,670	2,150	5,420	2,500	5,420	2,500
	Two-stage mast ZZ	114	2,900	59	1,500	53	1,350	82	2,080	137	3,480	143	3,630	6 / 8	5,420	2,500	6,510	3,000	6,510
122		3,100	63	1,600	57	1,450	86	2,180	145	3,680	151	3,830	6 / 8	5,420	2,500	6,510	3,000	6,510	3,000
130		3,300	67	1,700	61	1,550	90	2,280	153	3,880	159	4,030	6 / 8	5,420	2,500	6,510	3,000	6,510	3,000
137		3,500	71	1,800	65	1,650	94	2,380	161	4,080	167	4,230	6 / 8	5,420	2,500	6,510	3,000	6,510	3,000
145		3,700	75	1,900	69	1,750	98	2,480	169	4,280	175	4,430	6 / 8	5,420	2,500	6,510	3,000	6,510	3,000
157		4,000	81	2,050	75	1,900	104	2,630	181	4,580	187	4,730	6 / 8	5,420	2,500	6,510	3,000	6,510	3,000
169		4,300	89	2,250	83	2,100	112	2,830	193	4,880	198	5,030	6 / 8	5,420	2,500	6,510	3,000	6,510	3,000
177		4,500	93	2,350	87	2,200	116	2,930	200	5,080	206	5,230	6 / 8	5,420	2,500	6,510	3,000	6,510	3,000
173		4,400	59	1,500	53	1,350	82	2,080	196	4,980	202	5,130	6 / 8	5,420	2,500	6,510	3,000	6,510	3,000
Three-stage mast DZ	185	4,700	63	1,600	57	1,450	86	2,180	208	5,280	214	5,430	6 / 5.5	5,420	2,500	6,510	3,000	6,510	3,000
	196	5,000	67	1,700	61	1,550	90	2,280	220	5,580	226	5,730	6 / 5.5	5,420	2,500				

EFG 425-S30



The Jungheinrich Advantage

Superior operator comfort

The ergonomic operator compartment allows for relaxed and productive operation, particularly beneficial at the end of long shifts:

- Low, wide step with slip-resistant tread.
- Slim steering column for maximum knee and legroom.
- Ability to tilt and telescope the steering column to suit the operator's needs.
- All essential controls are located on the highly-adjustable armrest, allowing for easy, intuitive operator control.
- Operators will experience an extremely comfortable ride on rough or uneven floors with the combination of solid pneumatic tires, a full-suspension seat and floating cabin.
- Outstanding view thanks to an innovative overhead guard design and optimized mast channel nesting and hose routing.

Maintenance-free braking system

- Regenerative braking with the traction motor allows for smooth, energy efficient deceleration.
- Automatically engaging parking brake for secure stopping, even on ramps.
- Multiple wet disc brakes are highly sealed for extreme durability in harsh environments.



Ergonomic operator compartment

Maintenance-free motors

The new generation of 3-phase AC motors will impress – providing quiet and precise operation at all speeds.

- High torque for faster operation cycles.
- Lifetime lubrication of main components.
- Motor, brake and gears are integrated into the sealed drive axle.
- Dust and water protection to IP54.

Control systems

High performance also requires a high degree of control. That's why the EFG series includes a comprehensive range of equipment for more secure operation:

- Deactivation of all hydraulic functions when the operator seat is not occupied.



Speed reduction during cornering

- No roll-back on ramps or inclines with the automatic parking brake, even when the vehicle is switched off.
- Automatic progressive reduction of the driving speed during cornering with Jungheinrich Curve Control.

Intelligent electronics

- Smooth travel / reversing and precise positioning.
- Optimally adapts to any situation using five individual work programs.
- Efficient communication between the truck and operator / technician with the highly informative, interactive display.

